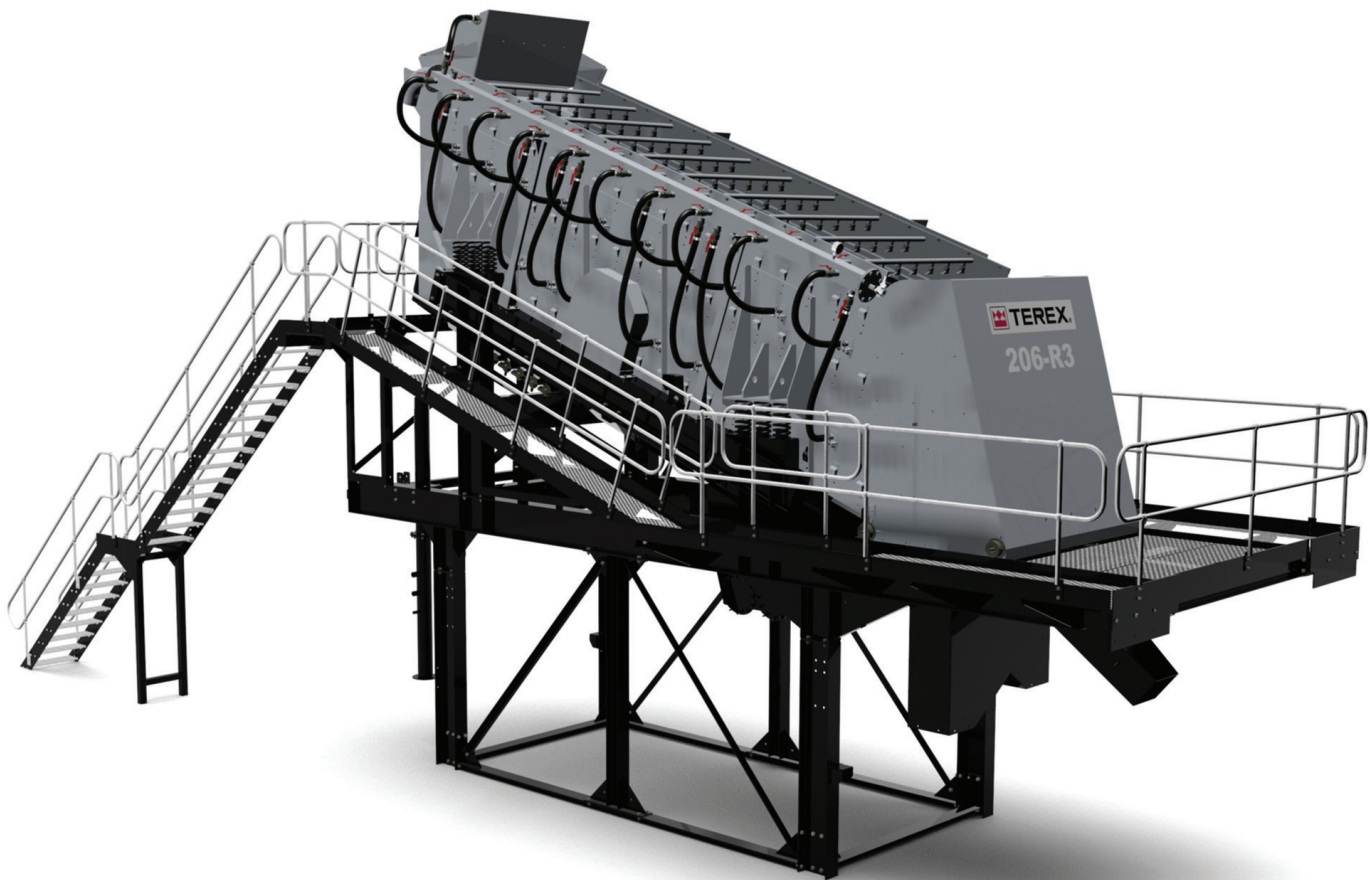


# SCREENBOX RANGE



## FEATURES

- Incorporates screenbox, chute, walkway and support structure
- Designed for maximum production efficiency in applications including sand and gravel, coal, crushed stone, slag, recycle materials, concrete, iron ore and silica glass
- All boxes are huck bolted to eliminate stress areas created by welding
- The static structure which carries the screen unit is robust, easy to assemble and includes integrated material discharge chutes
- Walkways, access steps and rolling chute system allow easy access to view production and carry out maintenance
- The range includes 2 and 3 deck screens ranging from 8 x 4 (2.4m x 1.2m) to 20 x 6 (6m x 1.8m)

**WORKS FOR YOU.™**

## FEATURES AND BENEFITS

- Side tensioned screen box
- Spray bars spread evenly on all decks
- Plastic fan tail spray nozzles
- Galvanized walkway & handrails
- Rolling chute system
- Manual screen angle adjustment
- Electric drive
- Steps and walkways provide easy access for maintenance
- Steps can be placed at any corner of the structure
- Rolling chute allows greater access to screen mesh when changing
- Robust easy to assemble steel support structure
- Rubber lined wear parts
- Complies with all relevant essential health and safety requirements
- High pressure plastic fan tail nozzles deliver clean end product
- Huck bolted, four bearing, free floating vibrating system eliminates the need for fine tuning
- High capacity (depending on mesh size and material type)
- Low maintenance

## APPLICATIONS

- Sand and gravel
- Coal
- Crushed materials
- Slag
- Recycled materials
- All forms of concrete, mortar and asphalt sand
- Iron Ore
- Lake and beach sand
- Silica glass

## SPECIFICATIONS

### SCREENBOX RANGE

20 X 6	3 DECK	2 DECK
<b>SCREEN BOX SIZE</b>	6m x 1.8m (20' x 6')	6m x 1.8m (20' x 6')
	<b>2 BEARING</b>	<b>2 BEARING</b>
<b>WIDTH</b>	4.71m (15' 6")	4.71m (15' 6")
<b>LENGTH</b>	15.3m (50' 2")	15.3m (50' 2")
<b>HEIGHT</b>	7.8m (25' 3")	7.36m (24' 2")
<b>ELECTRIC MOTOR</b>	30hp 22kW	30hp 22kW
<b>WATER FEED PIPE</b>	150mm (6")	150mm (6")
<b>TOP DECK SPRAYBARS</b>	10 off	10 off
<b>MIDDLE DECK SPRAYBARS</b>	8 off	N/A
<b>BOTTOM DECK SPRAYBARS</b>	8 off	8 off
<b>WASTE WATER DISCHARGE</b>	2.34m (7' 6")	2.34m (7' 6")
<b>PRODUCT DISCHARGE HEIGHT</b>	1.63m (5' 4")	1.63m (5' 4")

16 X 5	3 DECK	2 DECK
<b>SCREEN BOX SIZE</b>	4.9m x 1.5m (16' x 5')	4.9m x 1.5m (16' x 5')
	<b>2 BEARING</b>	<b>4 BEARING</b>
<b>WIDTH</b>	4.01m (13' 1")	4.01m (13' 1")
<b>LENGTH</b>	13.3m (43' 6")	13.3m (43' 6")
<b>HEIGHT</b>	7.1m (23' 3")	6.7m (22'-0")
<b>ELECTRIC MOTOR</b>	20hp 15kW	20hp 15kW
<b>WATER FEED PIPE</b>	150mm (6")	150mm (6")
<b>TOP DECK SPRAYBARS</b>	8 off	8 off
<b>MIDDLE DECK SPRAYBARS</b>	8 off	N/A
<b>BOTTOM DECK SPRAYBARS</b>	8 off	8 off
<b>WASTE WATER DISCHARGE</b>	2.75m (8' 5")	2.75m (8' 5")
<b>PRODUCT DISCHARGE HEIGHT</b>	1.85m (6' 1")	1.85m (6' 1")

12 X 5	3 DECK	2 DECK
<b>SCREEN BOX SIZE</b>	3.7m x 1.5m (12' x 5')	3.7m x 1.5m (12' x 5')
	<b>2 BEARING</b>	<b>4 BEARING</b>
<b>WIDTH</b>	4.07m (13' 5")	4.07m (13' 5")
<b>LENGTH</b>	11.3m (37' 1")	11.3m (37' 1")
<b>HEIGHT</b>	7.04m (23' 1")	6.3m (20' 8")
<b>ELECTRIC MOTOR</b>	20hp 15kw	13hp 10kw
<b>WATER FEED PIPE</b>	150mm (6")	150mm (6")
<b>TOP DECK SPRAYBARS</b>	6 off	6 off
<b>MIDDLE DECK SPRAYBARS</b>	6 off	N/A
<b>BOTTOM DECK SPRAYBARS</b>	6 off	6 off
<b>WASTE WATER DISCHARGE</b>	2.8m (9' 2")	2.8m (9' 2")
<b>PRODUCT DISCHARGE HEIGHT</b>	2.1m (6' 9")	2.1m (6' 9")



### 8 X 4

### 2 & 3 DECK

SCREEN BOX SIZE	2.4m x 1.2m (8' x 4')
	<b>4 BEARING</b>
WIDTH	4.02m (13' 2")
LENGTH	10.9m (35' 8")
HEIGHT	5.99m (19' 8")
ELECTRIC MOTOR	7.5hp 5kW
WATER FEED PIPE	100mm (4")
TOP DECK SPRAYBARS	5 off
BOTTOM DECK SPRAYBARS	5 off
WASTE WATER DISCHARGE	2.85m (9' 4")
PRODUCT DISCHARGE HEIGHT	2.1m (6' 9")

## SCREENBOX APPROXIMATE WEIGHT

	3 DECK	2 DECK	STRUCTURE
<b>8X4</b>	3750kg (8260lbs)	3250kg (7165lbs)	3800kg (8377lbs)
<b>12X5</b>	5250kg (11574lbs)	4500kg (9920lbs)	5200kg (11464lbs)
<b>16X5</b>	8000kg (17636lbs)	7250kg (15983lbs)	7200kg (15873lbs)
<b>20X6</b>	10000kg (22046lbs)	9250kg (20392lbs)	9800kg (21605lbs)

## OPTIONS

- 3 deck variant
- Dry, rinser & part rinser
- Level frame
- Modular polyurethane decks
- Rubber side tensioned mesh
- Aluback wear plate in wash box
- 10" Sand slurry pipes
- Rubber lined catch box and division plates
- Rubber lined transfer box
- Adjustable division plates
- Hydraulic drive (on certain models)
- Brass or plastic nozzles
- Height extensions to feed powerscrub and finesmaster ranges
- Flipper plates in the rolling chute. Permitting blending of material grades



## SCREEN

Side tensioned huckbolted screen box

Spray bars spread evenly on all decks

Plastic fan tail spray nozzles

Electric drive

Mesh, rubber decks or polyurethane available



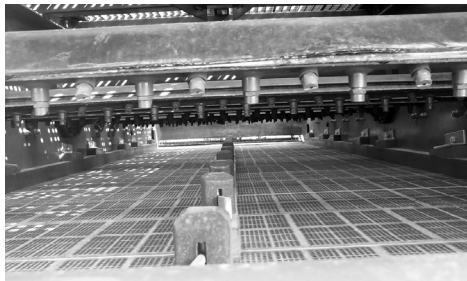
Huck bolted screenbox



Side tensioned screenbox  
(Quick release wedges optional)



Heavy duty springs



Polyurethane decks or mesh available



High pressure spraybars with plastic nozzles

## STRUCTURE

Modular quick erect structure

Galvanized handrails

Rolling chute system

Manual screen angle adjustment

Non slip flowforge panels used for walkways

Manifold with ball valves and heavy duty rubber hosing attached to structure

Washbox with integrated spraybar



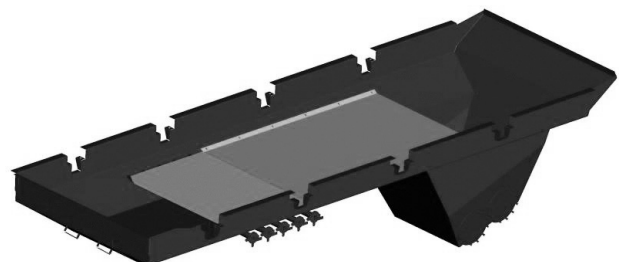
Integrated manifold with  
ball valve and high pressure  
rubber hosing



Roll in chute for transfer of material  
from screen to chutes, and ease of  
access for mesh



Bolt up structure with galvanized  
walkways and handrails

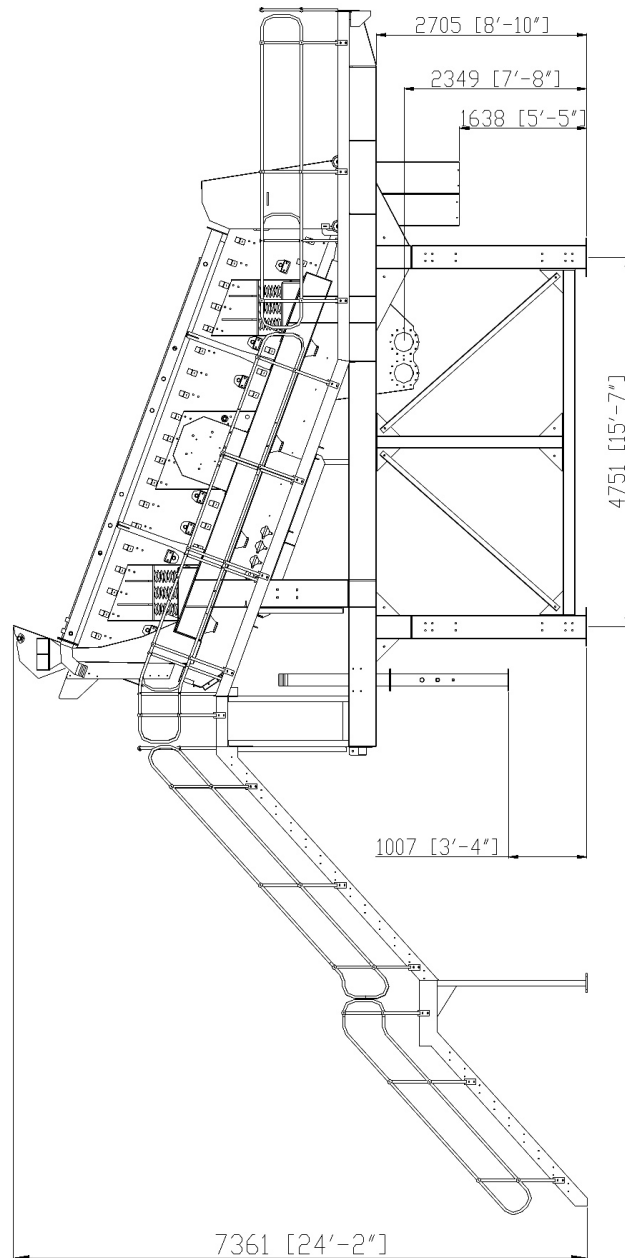
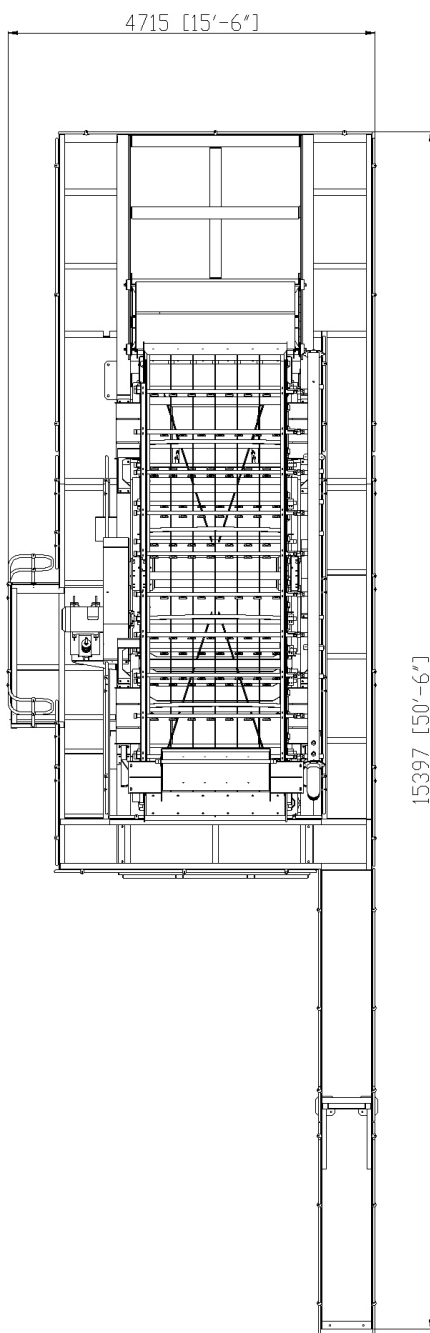
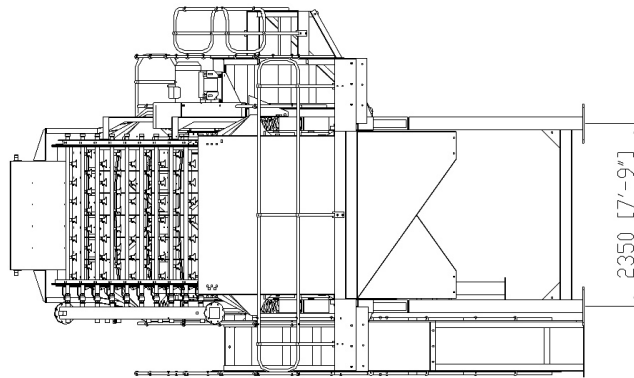


Catchbox.  
Adjustable division plates (yellow) & rubber lining optional



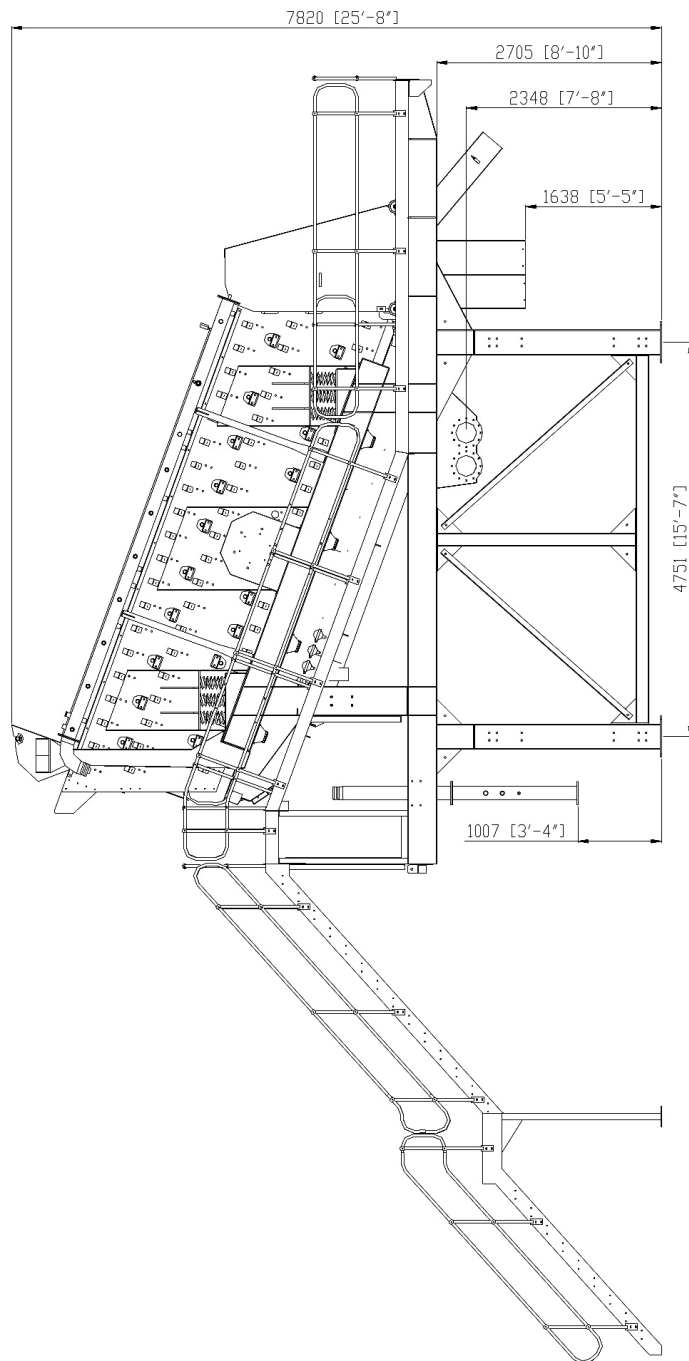
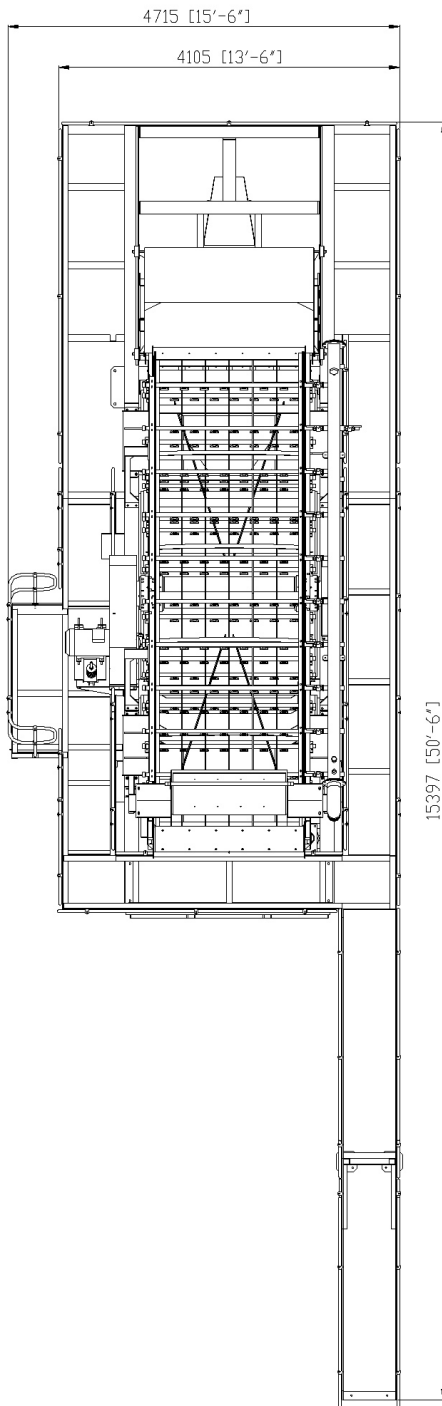
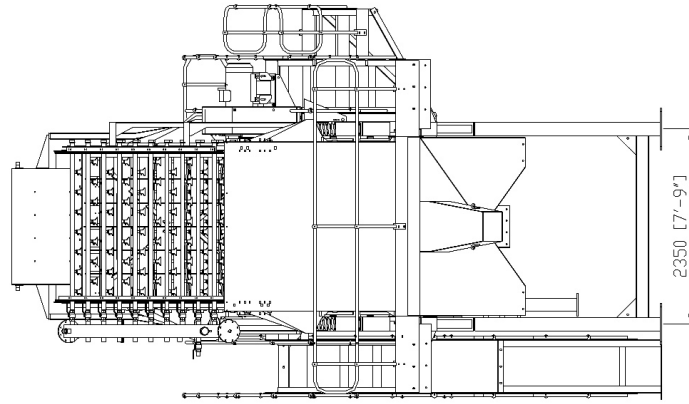
# DIMENSIONS

## 20 X 6 2 DECK WITH STANDARD STRUCTURE



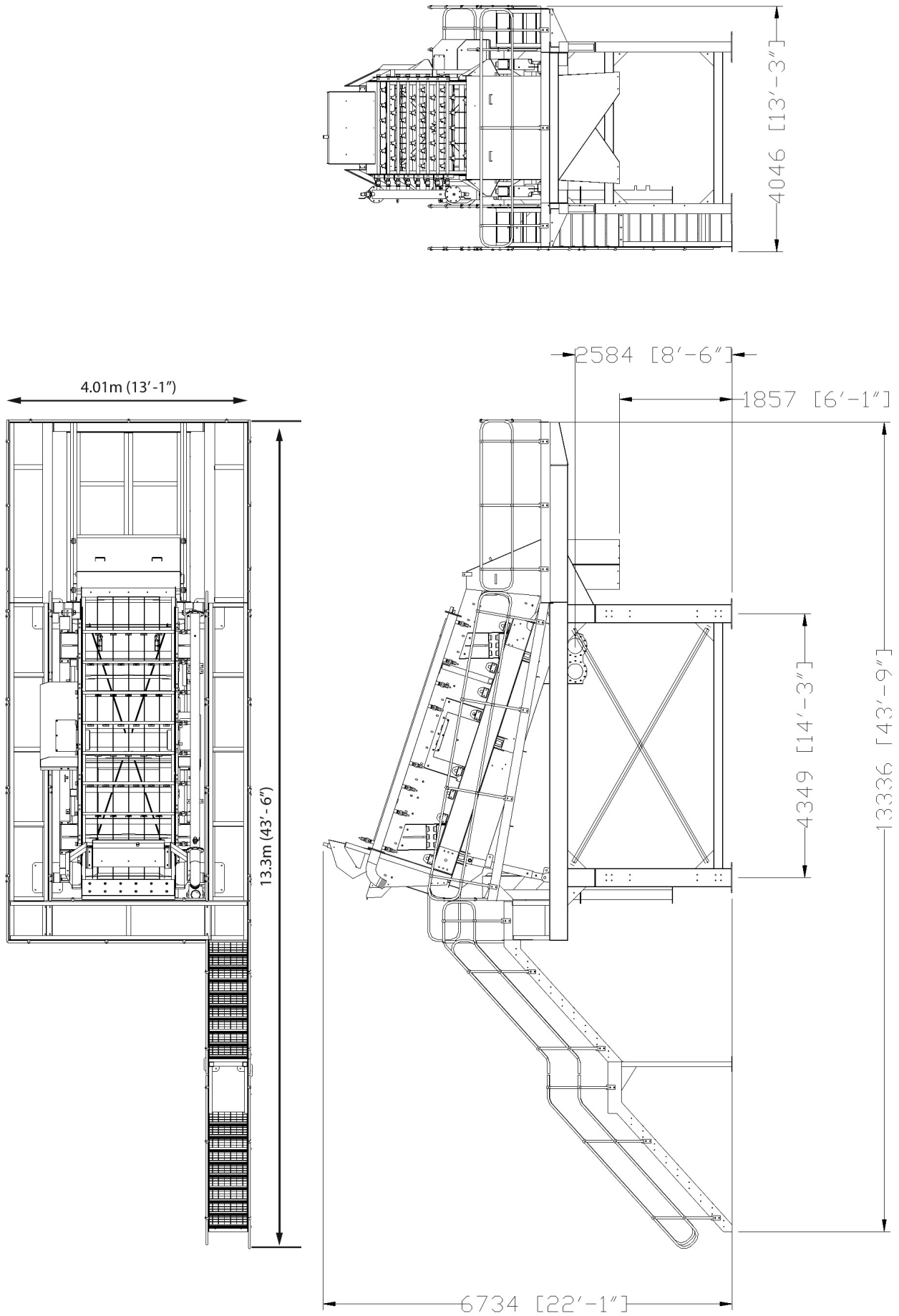


# 20 X 6 3 DECK WITH STANDARD STRUCTURE



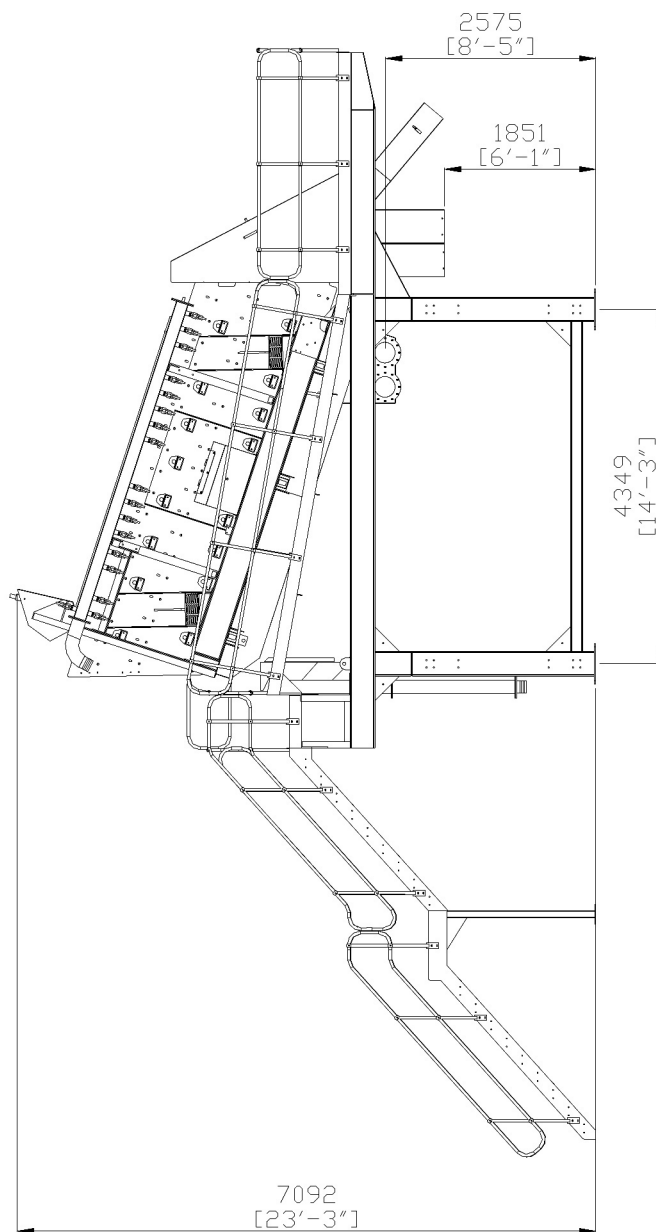
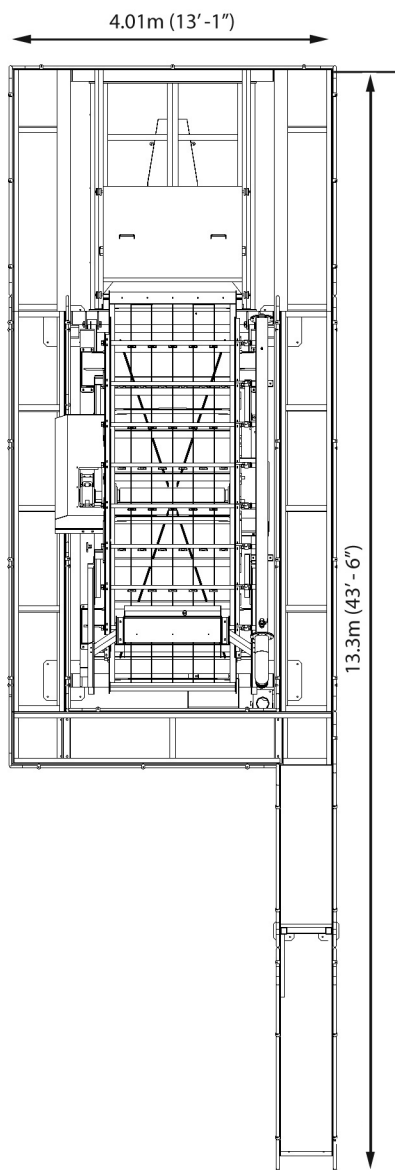
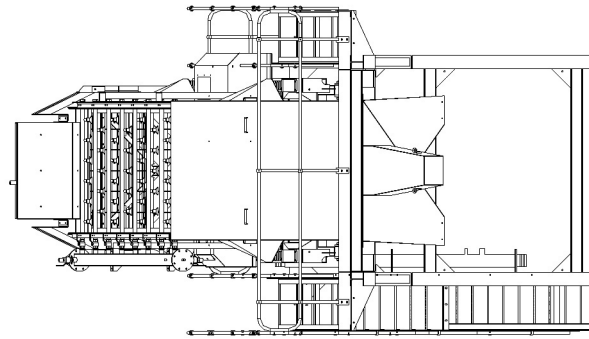


# 16 X 5 2 DECK WITH STANDARD STRUCTURE





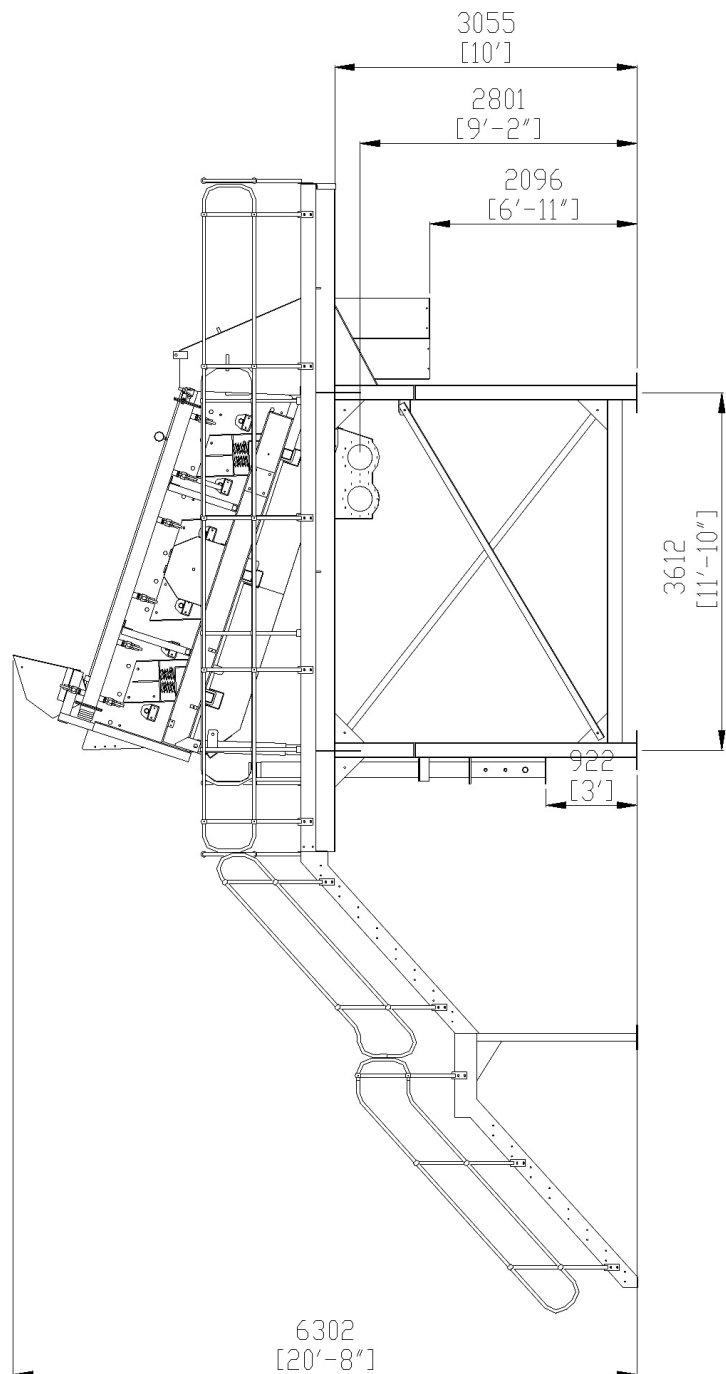
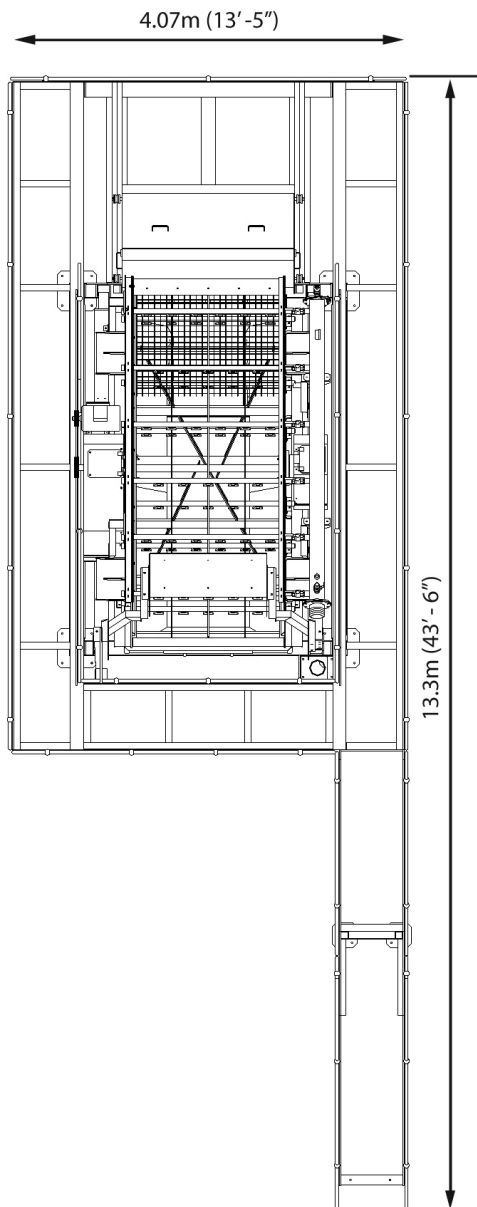
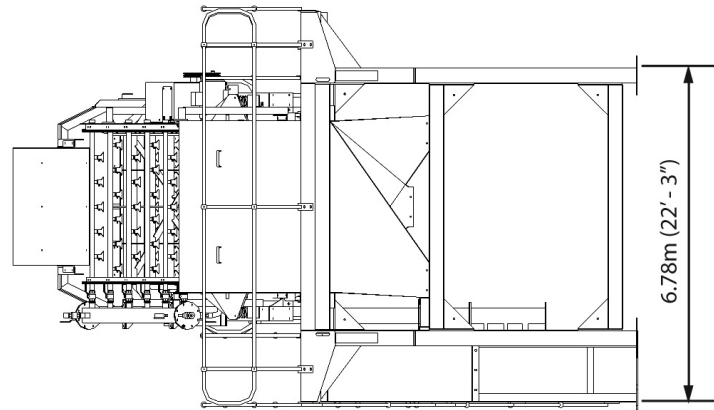
# 16 X 5 3 DECK WITH STANDARD STRUCTURE





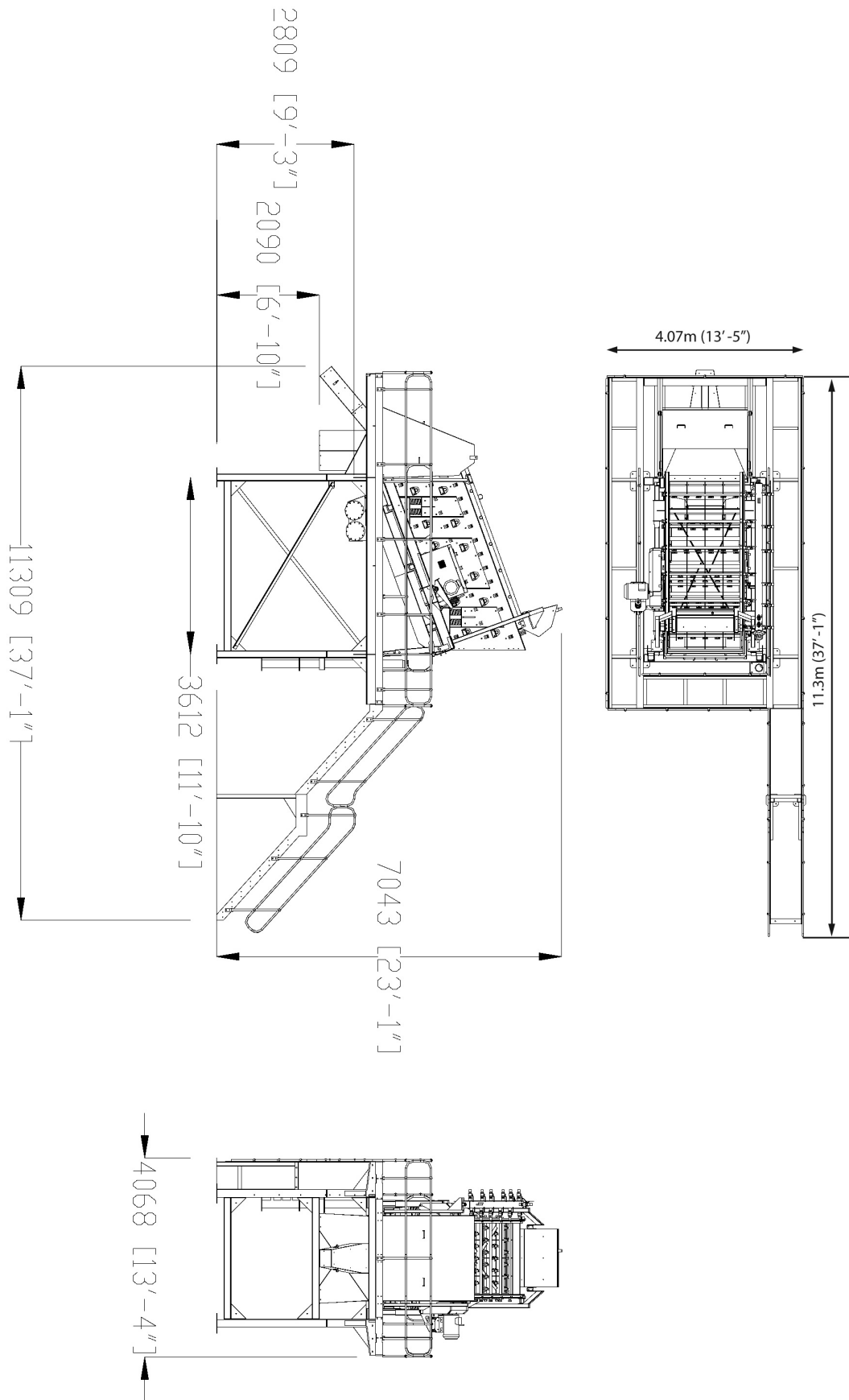


# 12 X 5 2 DECK WITH STANDARD STRUCTURE



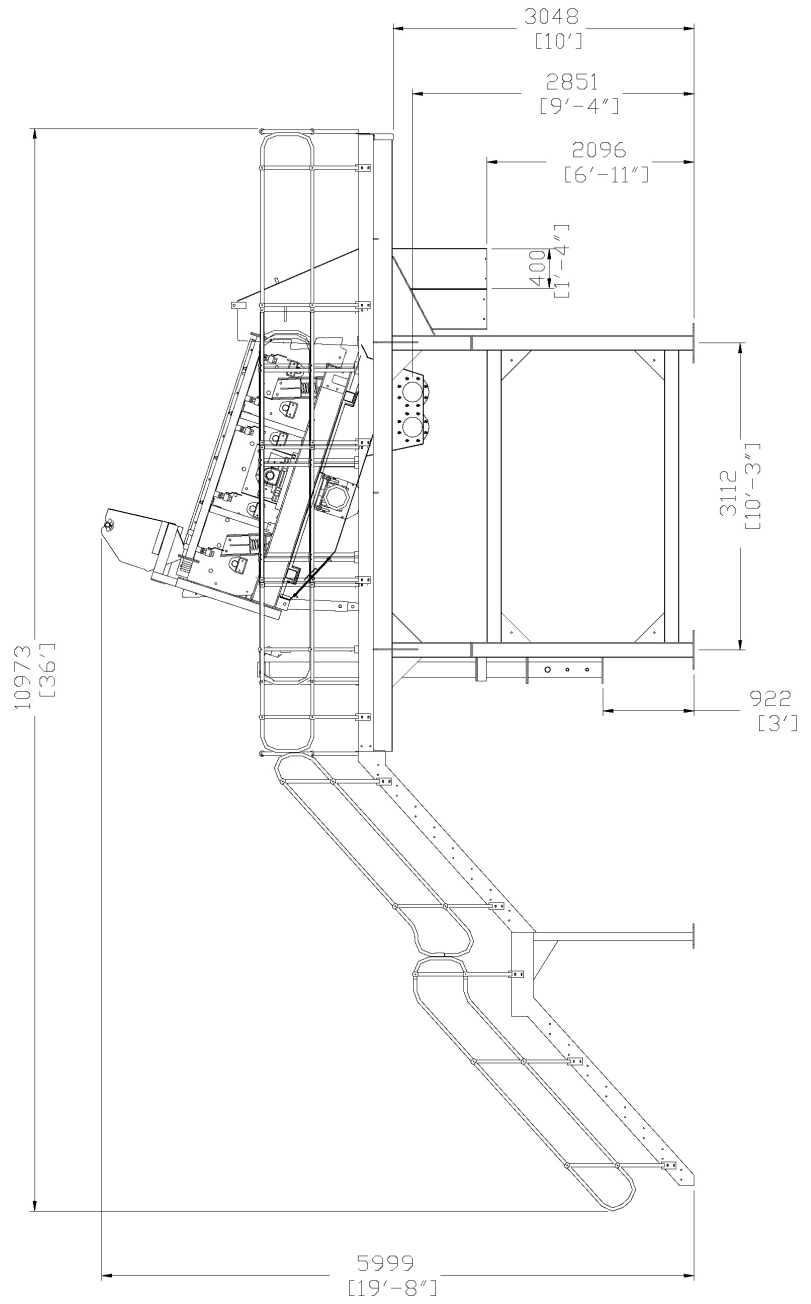
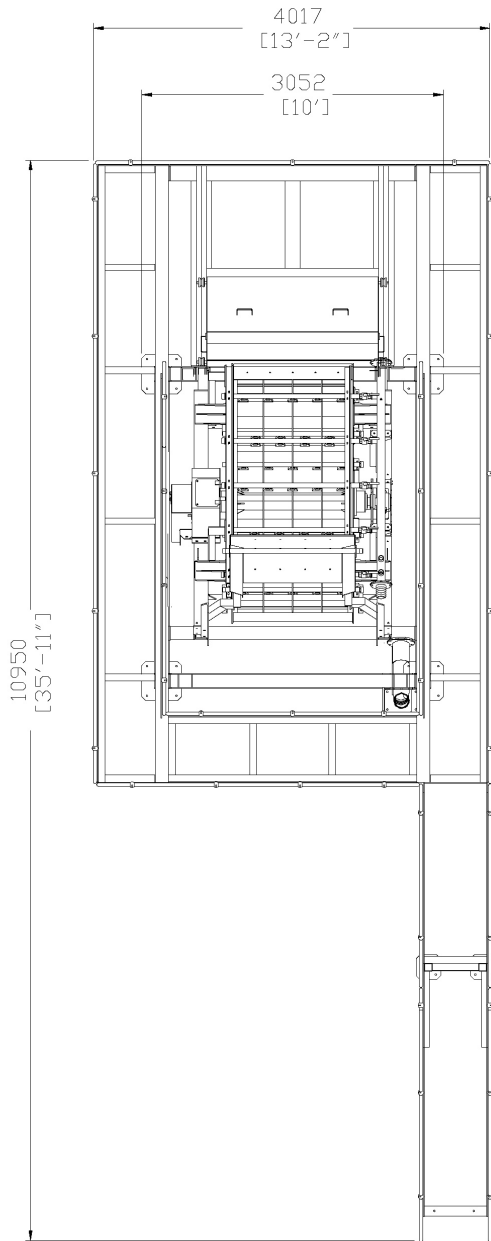


# 12 X 5 3 DECK WITH STANDARD STRUCTURE





# 8 X 4 2 DECK WITH STANDARD STRUCTURE





## TEREX WASHING SYSTEMS CONTACT DETAILS

### Dungannon Site

200 Coalisland Road  
Dungannon  
Co. Tyrone  
Northern Ireland  
BT71 4DR

Tel: +44(0) 28 8771 8500

Email: [TWS.sales@terex.com](mailto:TWS.sales@terex.com)

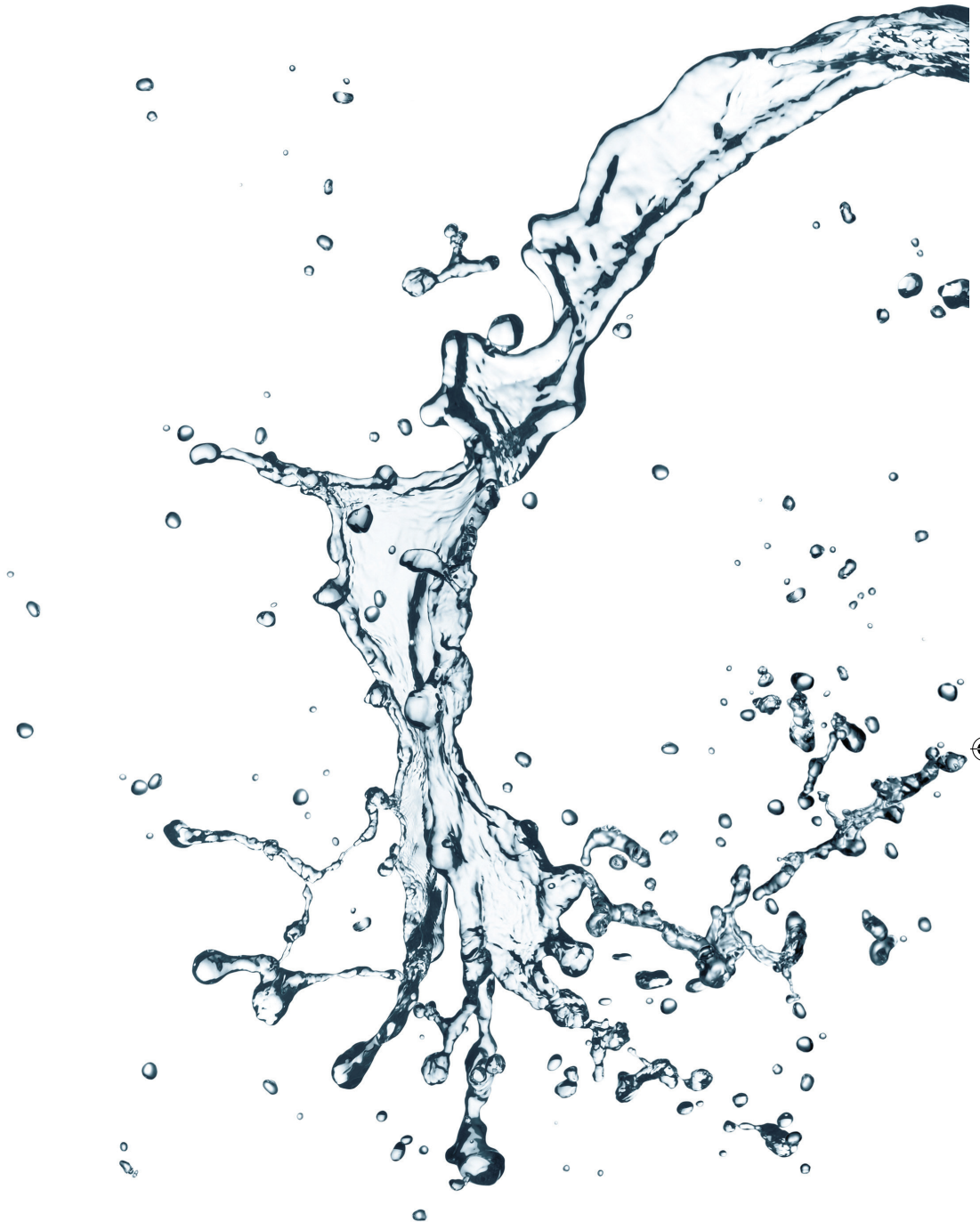
[www.terex.com/washing](http://www.terex.com/washing)

You  Tube

Check out Terex Washing Systems  
on YouTube: [www.youtube.com/terex](http://www.youtube.com/terex)



[www.facebook.com/TerexCorporat](http://www.facebook.com/TerexCorporat)



Effective Date: July 2012 Product specifications and prices are subject to change without notice or obligation. The photographs and/or drawings in this document are for illustrative purposes only. Refer to the appropriate Operator's Manual for instructions on the proper use of this equipment. Failure to follow the appropriate Operator's Manual when using our equipment or to otherwise act irresponsibly may result in serious injury or death. The only warranty applicable to our equipment is the standard written warranty applicable to the particular product and sale and Terex makes no other warranty, express or implied. Products and services listed may be trademarks, service marks, or trade names of Terex Corporation and/or its subsidiaries in the USA and other countries. All rights are reserved. Terex is a registered trademark of Terex Corporation in the USA and many other countries. © 2010 Terex Corporation.



**WORKS FOR YOU.™**

